



- IEC 62053-22 Class 0.5S
- True RMS Measurements
- THD with 31 Ind. Harmonics
- K-Factor, Crest Factor and TDD
- Unbalance & Phase Angles
- Demands and Max. Demands
- Max./Min. Log with Timestamp
- High-Contrast LED Display
- Setpoint Alarms and SOE Logs
- IP65 Enclosure with No Openings
- Standard Tropicalization
- Industrial Grade Components
- Extended Temperature
- Extended Warranty

Designed For Reliability

Manufactured To Last



The PMC-53M-E Intelligent Multifunction Meter is CET's latest offer for the low-cost digital power/energy metering market. Housed in a standard DIN form factor measuring 96x96x88mm, it is perfectly suited for industrial, commercial and utility applications. The PMC-53M-E features quality construction, multifunction true RMS measurements and a high-contrast LED display. Compliance with the IEC 62053-22 Class 0.5S Standard, it is a cost-effective replacement for analog instrumentation that is capable of displaying 3-phase measurements at once. It optionally provides four Digital Inputs for status monitoring and two Relay Outputs for control and alarm applications. The standard RS-485 port and Modbus RTU protocol support makes the PMC-53M-E a smart metering component of an intelligent, multifunction monitoring solution for any Energy Management System.

Typical Applications

- Industrial, Commercial and Utility Substation Metering
- Building, Factory and Process Automation
- Sub-metering and Cost Allocation
- Energy Management and Power Quality Monitoring

Features Summary

Multifunction True RMS Measurements

- ULN, ULL per Phase and Average
- Current per Phase and Average with calculated Neutral Current
- kW, kvar, kVA, PF per Phase and Total
- kWh, kvarh Import / Export / Net / Total and kVAh Total
- Frequency
- Device Operating Time (Running Hours)
- DI Pulse Counters

Enhanced Measurements

- U and I THD, TOHD, TEHD and Individual Harmonics up to 31st
- Current TDD, TDD Odd, TDD Even, K-Factor and Crest Factor
- U and I Unbalance and Phase Angle
- Displacement PF
- kvarh Q1-Q4
- Present, Predicted Demands and Max. Demands for kW / kvar / kVA Total and per Phase Current with Timestamp for This Month & Last Month (or Since Last Reset & Before Last Reset)

Ease of Use

- High-contrast LED display
- Intuitive user interface
- LED indicators for Energy Pulsing and Communication activities
- Password protected setup via Front Panel or free PMC Setup software
- Easy installation with mounting clips, no tools required

Setpoints

- 9 user programmable setpoints with extensive list of monitoring parameters including Voltage, Current, Power, THD, etc.
- Configurable thresholds, time delays and DO triggers

SOE Log

- 64 events time-stamped to ± 1 ms resolution
- Setup changes, Setpoint and DI status changes and DO operations

Max./Min. Log

- Max./Min. Log with Timestamp for Real-time measurements such as Voltage, Current, In, Freq., kW, kvar, kVA, PF, Unbalance, K-Factor, Crest Factor and THD.
- Configurable for This Month & Last Month (or Since Last Reset & Before Last Reset)

Diagnostics

- Frequency Out-of-Range, Loss of Voltage / Current
- kW Direction per Phase and Total, Possible Incorrect CT Polarity
- Incorrect U & I Phase Sequence

Communications

- Optically isolated RS-485 port at max. 38,400 bps
- Standard Modbus RTU support

Real-Time Clock

- Battery-backed Real-time Clock with 25ppm accuracy (<2s per day)

System Integration

- Supported by CET's PecStar® iEMS
- Easy integration into other Automation, SCADA or BMS systems via Modbus RTU

Inputs and Outputs

Digital Inputs (Optional)

- 4 channels, volt free dry contact, 24VDC internally wetted
- 1000Hz sampling for status monitoring with programmable debounce
- Pulse counting with programmable weight for each channel for collecting WAGES (Water, Air, Gas, Electricity, Steam) information

Digital Outputs (Optional)

- 2 Form A mechanical relays for alarming and general purpose control
- 5A @ 250VAC or 30VDC



Accuracy

Parameters	Accuracy	Resolution
Voltage	±0.2% Reading + 0.05% F.S.	0.001V
Current	±0.2% Reading + 0.05% F.S.	0.001A
kW, kvar, kVA	±0.5% Reading + 0.05% F.S.	0.001kX
kWh, kVAh	IEC 62053-22 Class 0.5S	0.1kXh
kvarh	IEC 62053-23 Class 2	0.1kvarh
PF	±0.5%	0.001
Frequency	±0.02Hz	0.01Hz
THD	IEC 61000-4-7 Class B	0.001%
K-Factor	IEC 61000-4-7 Class B	0.001
Phase Angle	±1°	0.1°

Technical Specifications

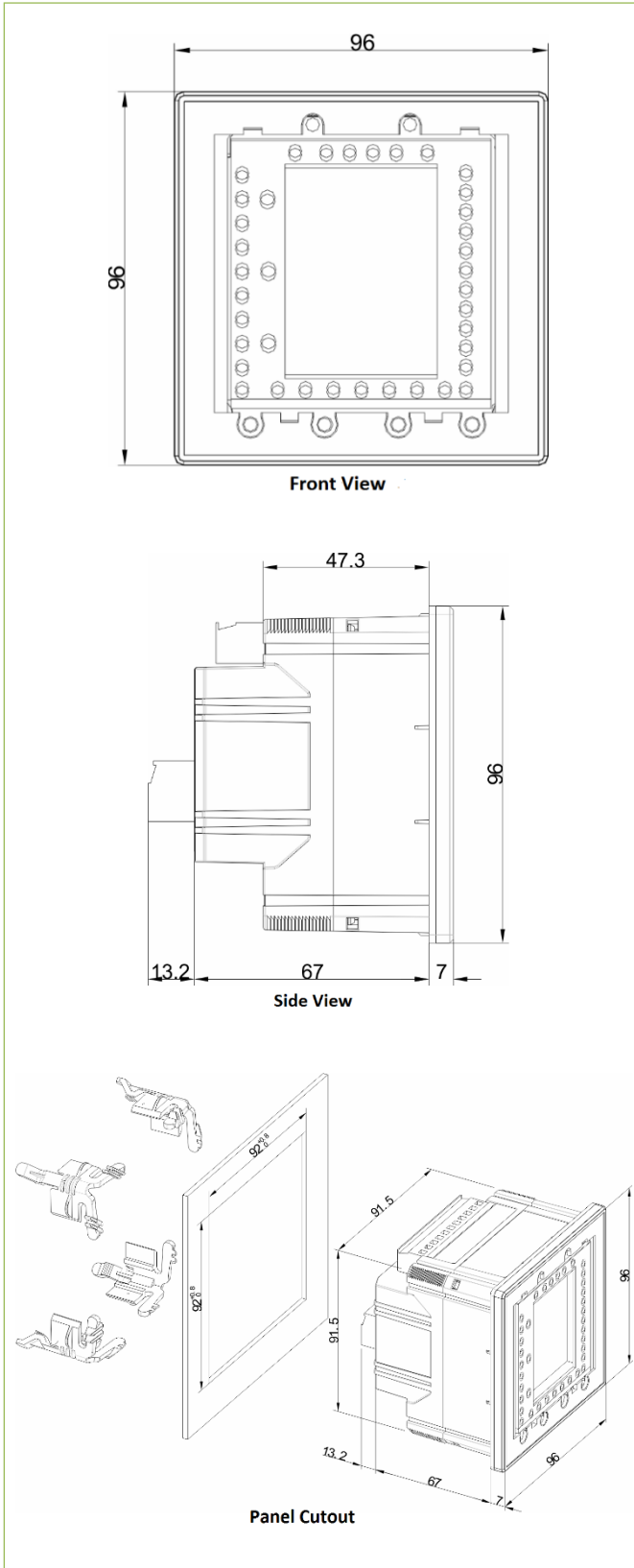
Voltage Inputs (V1, V2, V3, VN)	
Standard Un Range	400ULN/690ULL 10V to 1.2Un
Overload Burden	1.2xUn continuous, 2xUn for 1s <0.02VA per phase
Measurement Category	CAT III up to 600ULL
Frequency	45-65Hz
Current Inputs (I11, I12, I21, I22, I31, I32)	
Standard In Range	5A (5A/1A Auto-Scaling) 0.1% to 200% In
Starting Current	0.1% In
Overload Burden	2xIn continuous, 20xIn for 1s <0.15VA per phase
Measurement Category	CAT III up to 600ULL
Power Supply (L+, N-)	
Standard Burden	95-250VAC/DC, ±10%, 47-440Hz <2W
Overvoltage Category	CAT III up to 300ULN
Digital Inputs (DI1, DI2, DI3, DI4, DIC)	
Type	Dry contact, 24VDC internally wetted
Sampling Frequency	1000Hz
Hysteresis	1ms minimum
Digital Outputs (DO11, DO12, DO21, DO22)	
Type	Form A Mechanical Relay
Loading	5A @ 250VAC or 30VDC
Load Type	Resistive
Installation Torque	
Current Inputs	12lb-in (1.3 N.m)
Power Supply, Voltage Inputs, RS485, I/O	5lb-in (0.5 N.m)
Environmental Conditions	
Operating Temp.	-25°C to 70°C
Storage Temp.	-40°C to 85°C
Humidity	5% to 95% non-condensing
Atmospheric Pressure	70 kPa to 106 kPa
Altitude	< 2000m
Pollution Degree	2
Location / Mounting	For indoor use only
Mechanical Characteristics	
Panel Cutout	92x92 mm (3.62"x3.62")
Unit Dimensions	96x96x88 mm
IP Rating	65

Standards of Compliance

Safety Requirements	
CE LVD 2014 / 35 / EU	EN61010-1: 2010, EN61010-2-030: 2010
cULus Listed	UL 61010-1 Ed. 3 CAN/CSA C22.2 NO. 61010-1-12 Ed. 3 UL 61010-2-030 Ed. 2 CSA C22.2 NO. 61010-2-030: 18 Ed. 2 UL 61010-2-201 Ed. 2 CSA C22.2 NO. 61010-2-201 Ed. 2
Electrical Safety in Low Voltage Distribution Systems up to 1000Vac and 1500 Vdc	IEC 61557-12: 2018 (PMD)
Insulation	IEC 62052-11: 2003 IEC 62053-22: 2003
AC Voltage: 2.5kV @ 1 minute Insulation Resistance: >100MΩ Impulse voltage: 6kV, 1.2/50μs	
Electromagnetic Compatibility CE EMC Directive 2014 / 30 / EU (EN 61326: 2013)	
Immunity Tests	
Electrostatic Discharge	EN 61000-4-2: 2009
Radiated Fields	EN 61000-4-3: 2006+A1: 2008+A2: 2010
Fast Transients	EN 61000-4-4: 2012
Surges	EN 61000-4-5: 2014+A1: 2017
Conducted Disturbances	EN 61000-4-6: 2014
Magnetic Fields	EN 61000-4-8: 2010
Voltage Dips and Interruptions	EN 61000-4-11:2004+A1: 2017
Ring Wave	EN 61000-4-12: 2017
Emission Tests	
Limits and Methods of Measurement of Electromagnetic Disturbance Characteristics of Industrial, Scientific and Medical (ISM) Radio-Frequency Equipment	EN 55011: 2016
Electromagnetic Compatibility of Multimedia Equipment - Emission Requirements	EN 55032: 2015
Limits for Harmonic Current Emissions for Equipment with Rated Current ≤16 A	EN 61000-3-2: 2014
Limitation of Voltage Fluctuations and Flicker in Low-Voltage Supply Systems for Equipment with Rated Current ≤16 A	EN 61000-3-3: 2013
Emission Standard for Industrial Environments	EN 61000-6-4: 2007+A1: 2011
Mechanical Tests	
Spring Hammer Test	IEC 62052-11: 2003
Vibration Test	IEC 62052-11: 2003
Shock Test	IEC 62052-11: 2003



Device View and Dimensions



Ordering Information

Product Code		Description
PMC-53M-E DIN96 Intelligent Multifunction Meter		
Basic Function		
E		Multifunction Measurements, LED Display
Input Current		
5		5A/1A Auto-Scaling (Class 0.5S for 5A and Class 1 for 1A)
Input Voltage		
9		400ULN/690ULL
Power Supply		
2		95-250 VAC/DC, 47-440Hz
Frequency		
5		45Hz-65Hz
I/O		
X		None
B*		4xDI+2xDO
Communications		
A		1xRS-485
Language		
E		English
PMC-53M - E - 5 9 2 5 X A E		PMC-53M-E-5925XAE (Standard Model)

* Additional charges apply

Your Local Representative

